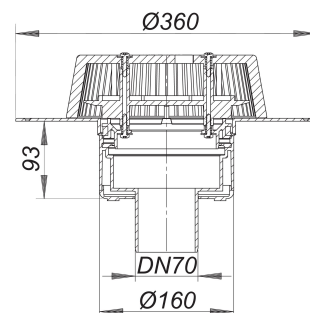


## roof drain SuperDrain type 62 PVC, DN 70

Part number: 671479

GTIN: 4001636671479

Rebate group: 10



### Description:

roof drain SuperDrain type 62 PVC, DN 70

conforming to DIN EN 1253

for use with a calculated siphonic roof drainage system, moulded in PVC, PVC membranes can be welded to the flange

specification:

- SuperDrain-insert
- insulated drain body
- outlet vertical
- domed grate, secured

material:

PVC

R 30 - 120 option available.

### Flow rates tested to DIN EN 1253:

Nominal diameter	Min. flow rate according to norm	Water level according to norm	Flow rate at water level 5 mm	Flow rate at water level 15 mm	Flow rate at water level 25 mm	Flow rate at water level 35 mm	Flow rate at water level 45 mm	Flow rate at water level 55 mm	Flow rate at water level 65 mm	Flow rate at water level 75 mm
DN 70	12.00 l/s	55.00 mm	0.70 l/s	2.45 l/s	4.85 l/s	10.95 l/s	16.75 l/s	17.40 l/s	17.40 l/s	17.40 l/s

### Spare parts: