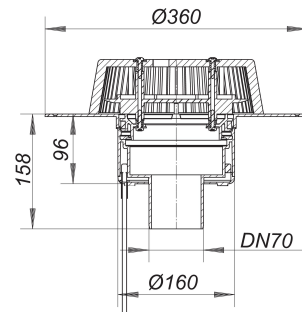


roof drain SuperDrain type 62 H PVC, DN 70

Part number: 671134
 GTIN: 4001636671134
 Rebate group: 10



Description:

roof drain SuperDrain type 62 H PVC, DN 70
 conforming to DIN EN 1253
 for use with a calculated siphonic roof drainage system, moulded in PVC, PVC membranes can be welded to the flange

specification:

- SuperDrain-insert
- insulated drain body
- outlet vertical
- domed grate, secured

material:

PVC

H = roof drain heated version

Connect to 230 V supply, conforming to VDE 0721, Part 1/3.78

Power per drain: 15 watts

Current per drain: 0.06 amps

Suggested current per roof area: 16 amps

R 30 - 120 option available.

Flow rates tested to DIN EN 1253:

Nominal diameter	Min. flow rate according to norm	Water level according to norm	Flow rate at water level 5 mm	Flow rate at water level 15 mm	Flow rate at water level 25 mm	Flow rate at water level 35 mm	Flow rate at water level 45 mm	Flow rate at water level 55 mm	Flow rate at water level 65 mm	Flow rate at water level 75 mm
DN 70	12.00 l/s	55.00 mm	0.70 l/s	2.45 l/s	4.85 l/s	10.95 l/s	16.75 l/s	17.40 l/s	17.40 l/s	17.40 l/s