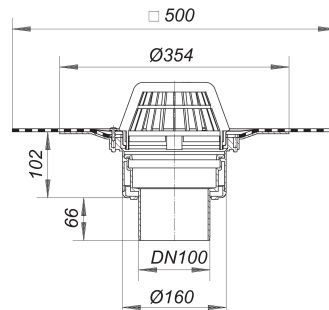
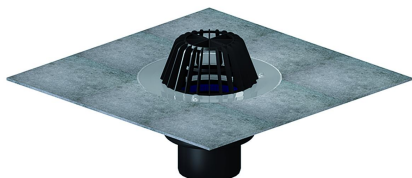


roof drain type 62 DallBit, DN 100

Part number: 622068
 GTIN: 4001636622068
 Rebate group: 10



Description:

roof drain type 62 DallBit, DN 100
 conforming to DIN EN 1253
 with factory-fitted collar of 5.0 mm modified bitumen membrane, 500 x 500 mm, welded to the flange and clamped with a stainless steel clamp ring

specification:

- insulated drain body
- outlet vertical
- domed grate
- temporary blanking plate

material:

polypropylene, UV-stabilized

Flow rates tested to DIN EN 1253:

Nominal diameter	Outlet di- rection	Min. flow rate ac- cording to norm	Water le- vel accor- ding to norm	Flow rate at water level 5 mm	Flow rate at water level 15 mm	Flow rate at water level 25 mm	Flow rate at water level 35 mm	Flow rate at water level 45 mm	Flow rate at water level 55 mm	Flow rate at water level 65 mm	Flow rate at water level 75
DN 100		4.50 l/s	35.00 mm	1.00 l/s	4.10 l/s	7.30 l/s	10.70 l/s	14.50 l/s	18.30 l/s	23.20 l/s	29.40 l/s
DN 100		4.50 l/s	35.00 mm	0.80 l/s	3.20 l/s	5.50 l/s	8.10 l/s	9.60 l/s	10.10 l/s	10.50 l/s	
DN 100		4.50 l/s	35.00 mm	0.90 l/s	3.80 l/s	6.40 l/s	9.10 l/s	12.20 l/s	15.80 l/s	20.10 l/s	