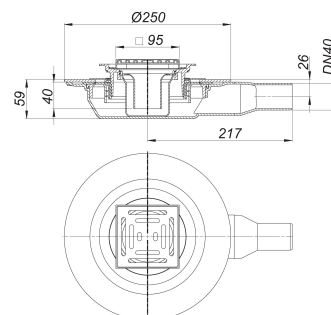


## floor drain CIRCOPlan 40.2, DN 40, 100 x 100 mm

Part number: 513823

GTIN: 4001636513823

Rebate group: 5



### Description:

floor drain CIRCOPlan 40.2, DN 40, 100 x 100 mm  
 conforming to DIN EN 1253 (approval)  
 only for use with CeraBoard shower underlays  
 outlet DN 40 horizontal

specification:

- lateral adjustable inner casing (+/- 15 mm) for connecting CeraBoard
- removable trap insert, 40 mm water seal
- temporary blanking plate and assembly key

material:

polypropylene,  
 grate 304 stainless steel, load class K 3 (300 kg)  
 frame ABS, 100 x 100 mm

### Flow rates tested to DIN EN 1253:

Nominal diameter	Product standard	Min. flow rate according to norm	Water level according to norm
DN 40	DIN EN 1253	0.60 l/s	20.00 mm