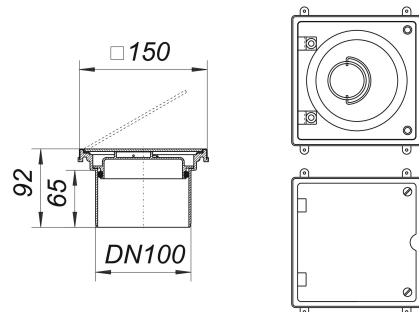


rodding eye DN 100, 150 x 150 mm

Part number: 510501
GTIN: 4001636510501
Rebate group: 4



Description:

rodding eye DN 100, 150 x 150 mm
for floor or wall installation

specification:

- rapid plug
- stands 5.0 m head back-pressure

material:

spigot in ABS, plug in polypropylene
connects to plastic pipework DN 100 with couplings

frame 304 stainless steel, hinged cover 304 stainless steel, secured, class L 15 (1,5 t)