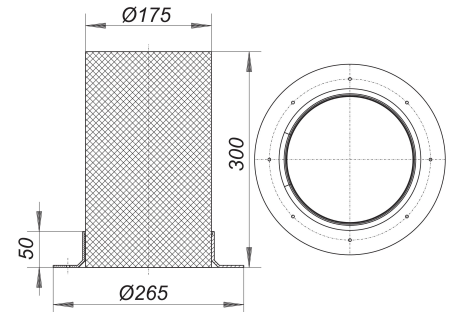


## sleeve former No 2 DD 160, d: 175 mm

Part number: 495501  
GTIN: 4001636495501  
Rebate group: 3



### Description:

sleeve former No 2 DD 160, d: 175 mm  
coated styrofoam, used when installing fire and sound-insulating collar - installation kit 2

specification:  
holder in polypropylene

### Spare parts:

515308 fire-insulating collar - installation k