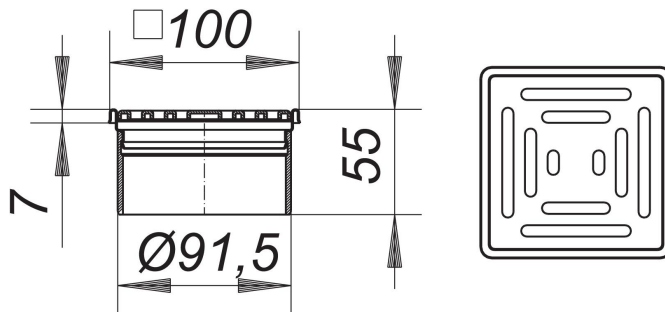


## grating VC 10, 100 x 100 mm

Part number: 400352  
GTIN: 4001636400352  
Rebate group: 5



### Description:

grating VC 10, 100 x 100 mm  
for CeraDrain S 10 and TistoDrain S 10  
height adjustable up to 40 mm with +/- 5.5 mm lateral adjustment, spigot ABS, frame 304 stainless steel, 100 x 100 mm, grate 304 stainless steel, load class K 3 (300 kg)