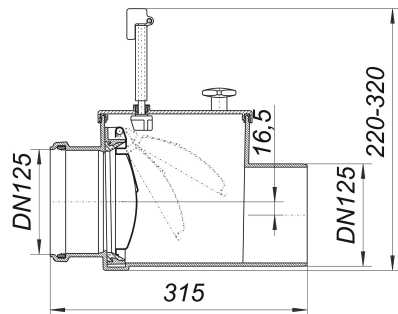


anti-flooding valve Stausafe H, DN 125

Part number: 661180
GTIN: 4001636661180
Rebate group: 3



Description:

anti-flooding valve Stausafe H, DN 125
for use with rain water systems

specification:

- self-closing stainless steel flap
- manually operated lock
- stainless steel pivots
- easy to maintain ABS housing
- inspection cover with wingnuts can be opened for maintenance without tools

Dimensions of Dallmer anti-flooding valves on page XXX.

Spare parts:

664020 wing nuts for Stausafe (4 pieces), M 8

664075 grab for Stausafe H and RS, DN 100/DN 1

664037 cover seal for Stausafe DN 100/DN 125