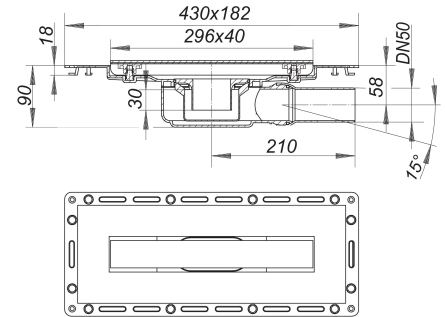
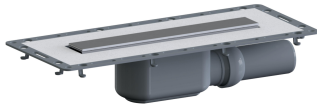


linear drain TistoLine Plan Design 300, DN 50

Part number: 530202
 GTIN: 4001636530202
 Rebate group: 5



Description:

linear drain TistoLine Plan Design 300, DN 50
 outlet DN 50 horizontal, ball-joint adjustable 0 – 15 degrees

specification

- waterproofing flange with fleece surface
- Tisto-membrane
- temporary blanking plate
- trap insert easily removable for cleaning, 30 mm water seal (deviating to DIN EN 1253)
- height adjustable pedestals to level cover with mosaic, tile, stone etc.
- tile-trim jig

material

drain body polypropylene

cover plate 304 stainless steel, 300 x 40 mm, 3 mm veneer, brushed, load class K 3 (300 kg), for flooring 5 – 15 mm (incl. adhesiv)

Available with connectors to suit PVC and HDPE pipe.

Flow rates tested to DIN EN 1253:

Nominal diameter	Product standard	Min. flow rate according to norm	Water level according to norm
DN 50	DIN EN 1253	0.80 l/s	20.00 mm

Spare parts:

523983 adjustable pedestals