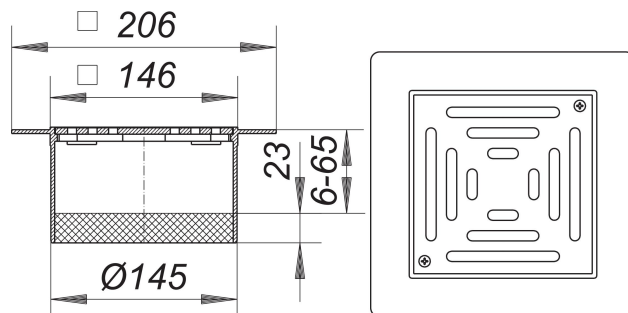


## grating PVC-ES 15, massive grate, secured, 150 x 150 mm

Part number: 500335  
GTIN: 4001636500335  
Rebate group: 3



### Description:

grating PVC-ES 15, massive grate, secured, 150 x 150 mm  
used with floor drains type 54, 55, 57, 58, 61 and 61/1  
specification with flange for securing flexible flooring  
spigot PVC-U, frame PVC-U, 150 x 150 mm  
grate 5 mm 316L stainless steel, secured, load class L 15 (1.5 t)  
Seal must be used.