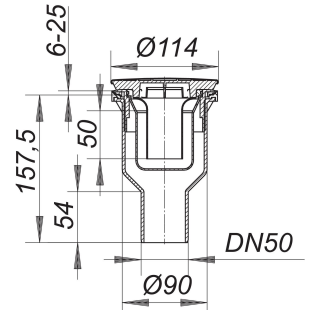


shower trap ORIO V, vertical, raised grid chromed, DN 50

Part number: 160249
 GTIN: 4001636160249
 Rebate group: 1



Description:

shower trap ORIO V, vertical, raised grid chromed, DN 50
 conforming to DIN EN 274
 for shower trays with a 90 mm outlet

specification

- outlet DN 50 vertical
- trap insert, removable for cleaning, 50 mm water seal (conforming to DIN EN 1253)
- temporary blanking plate/installation key

material

trap polypropylene, raised grid stainless steel or ABS chromed

The outlet connector can be supplied in ABS to suit British Standard sizes and PE-HD conforming to DIN EN 1519. Please enquire.

Flow rates tested to DIN EN 274:

Nominal diameter	Product standard	Min. flow rate according to norm	Water level according to norm
DN 50	DIN EN 274	0.40 l/s	15.00 mm

Spare parts:

160812 raised grid ORIO, ABS chromed

160683 trap insert ORIO