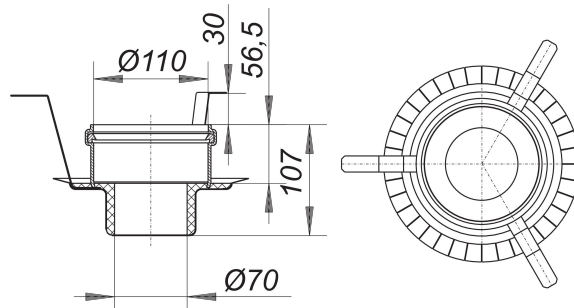


fire and sound-insulating collar - installation kit 2, DN 50

Part number: 515025

GTIN: 4001636515025

Rebate group: 3



Description:

fire and sound-insulating collar - installation kit 2, DN 50

used with floor drain bodies/floor drains DallDrain vertical, shower channels CeraLine vertical F 500 - F 1200, floor drains TistoLine and Tisto-Plan vertical, floor drain bodies 40 S, 40 PE, 40 DallBit and floor drains 40 SE, 40 SE 12.

For installation in core drills (d: 160 mm) in F 30/60/90/120 rated floors.

specification:

- insertion element
- intumescent material
- built-in hangers
- mortar guard
- sound-insulating collar
- blanking plate

connects to:

plastic pipework DN 50 with couplings,

cast iron pipework DN 50 with DALLMER HT/SML pipe coupling DN 50/DN 50 (part-no. 880024)