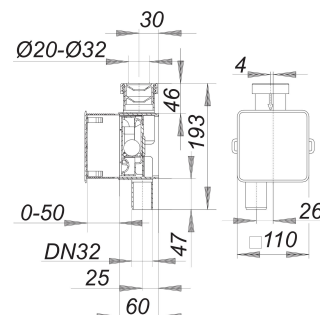


## built-in condensate trap 138, DN 32

Part number: 026200

GTIN: 4001636026200

Rebate group: 1



### Description:

built-in condensate trap 138, DN 32  
for use with air-conditioners, heating equipment, etc.  
The floating ball keeps the trap seal intact!

specification:

- housing
- inspection cover
- flow rate 2,0 l/min

material:

polypropylene/ABS

### Spare parts:

026101 condensate trap insert 138 K