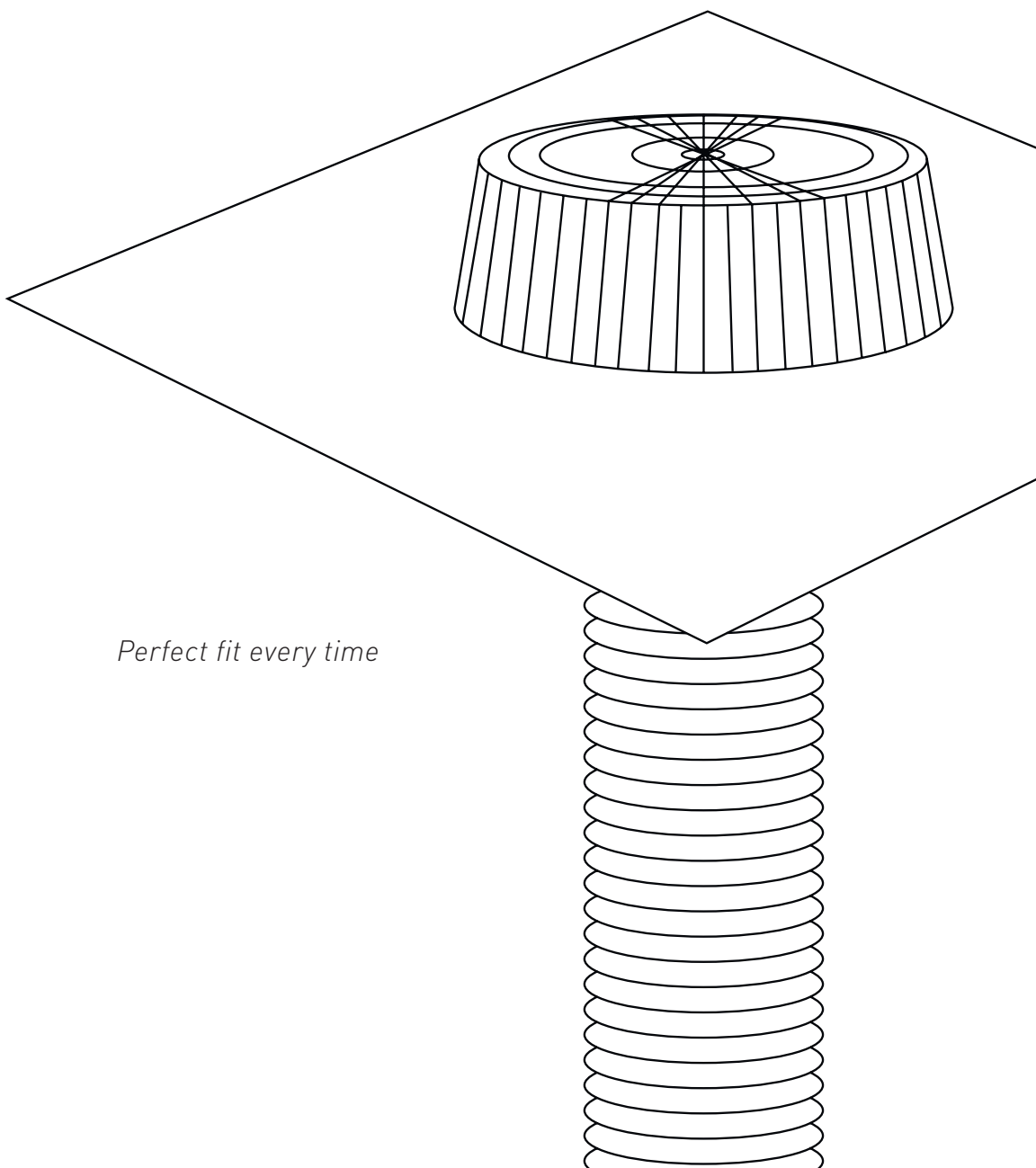


Renova roof drains

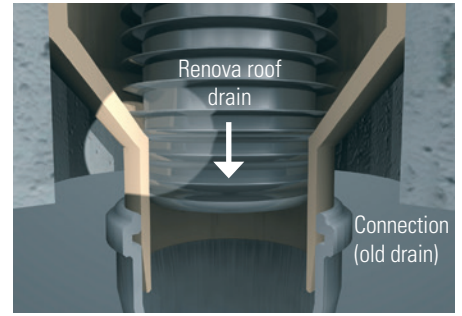


Perfect fit every time

Renova roof drains

Flat roof renovations are time-consuming and laborious, especially when old roof drains have to be removed. But now that's a thing of the past: Dallmer's renova roof drain 63 T saves you a great deal of time, nevertheless you can be sure of a secure, high-quality, professional solution. Our method: the old drain stays in place, and the renovation drain is pushed through the old drain to the new membrane level. The flexible lip seals ensure that the new drain can never leak when subject to backflow.

The new renova roof drain 63 T is available in sizes from DN 70 – DN 150. Prepared for connections to bituminous, FPO-PP or PVC roof membranes or with a clamp flange for connection of polymeric roof membranes.



Simple

The old roof drain stays in place and the new one is pushed through as far to the level of the new membrane, right into the existing downpipe. As a roofer, I only need to know the diameter.

Secure

The flexible lip seals ensure a firm fit and even out irregularities in the old drain. At the same time they guarantee the necessary backflow resistance.

The additional stainless steel clamp ring for the 63 T DallBit guarantees maximum resistance to wind load and prevents loosening of the roof membrane from the drain.

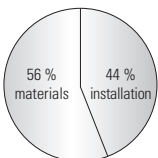
Tight-fitting

The renova roof drain 63 T fits inside all standard downpipe sizes. The body of our renova roof drain 63 T is so compact that it can be fitted in virtually all old drains without difficulty. It is ideal for renovation projects involving either the laying of new roof membrane or extra layers of insulation.

Comparison

A. Renovation with replacement of the old drain

Breakdown of costs



Steps:

1. Removal of old drain
2. Installation of new drain
3. Connection of old vapour barrier
4. Connection to new roofing membrane
5. Connection of the old downpipe to the new drain, shorten or lengthen if necessary

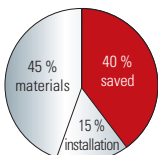


80-90 mins*

Working time

B. Renovation with 63 T retrofit drain

Breakdown of costs



Steps:

1. Installation of the 63 T retrofit drain (shorten and insert)
2. Connecting the new roofing membrane



20-25 mins*

Working time

*Average based on a survey of roofing companies in North Rhine-Westphalia 2007

Saves

Installing the Dallmer retrofit drain requires fewer steps than removing the old roof drain.

Due to shorter installation times, the renovation costs with the 63 T retrofit drain can be significantly reduced.

Overview renova roof drains

Renova roof drain type 63 T



RENOVA ROOF DRAIN TYPE 63 T DALLBIT

HEIGHT	DN	PART NO.
345 mm	DN 70 innen	630247
460 mm	DN 100 innen	630261
460 mm	DN 125 innen	630285
345 mm	DN 150 innen	630292*



RENOVA ROOF DRAIN TYPE 63 T FPO-PP

HEIGHT	DN	PART NO.
345 mm	DN 70 innen	630841
460 mm	DN 100 innen	630865
460 mm	DN 125 innen	630889

* Drain body and domed grating shaped like type 63 T clamp ring



RENOVA ROOF DRAIN TYPE 63 T CLAMP RING

HEIGHT	DN	PART NO.
345 mm	DN 70 innen	630049
460 mm	DN 100 innen	630063
460 mm	DN 125 innen	630087
345 mm	DN 150 innen	630094



RENOVA ROOF DRAIN TYPE 63 T PVC

HEIGHT	DN	PART NO.
345 mm	DN 70 innen	630346
460 mm	DN 100 innen	630360
460 mm	DN 125 innen	630384
345 mm	DN 150 innen	630391

DIMENSIONS

DN	Ø PIPE	Ø OUTER EDGE RUBBER RIB
DN 70	56 mm	73,5 mm
DN 100	90 mm	108 mm
DN 125	90 mm	123 mm
DN 150	125 mm	159 mm

LIP DIAMETER FROM – TO

DN	Ø MINIMUM	Ø MAXIMUM
DN 70	64 mm	73,5 mm
DN 100	100 mm	108 mm
DN 125	105 mm	123 mm
DN 150	145 mm	159 mm

Renova roof drain type 84



RENOVA ROOF DRAIN TYPE 84 CLAMP RING

DN	PART NO.
DN 70 innen	831248
DN 100 innen	831262



RENOVA ROOF DRAIN TYPE 84 DALLBIT

DN	PART NO.
DN 70 innen	832245
DN 100 innen	832269

Renova roof drains

DALLMER renova roof drain type 63 T DallBit

Conforming to DIN EN 1253

Installed by pushing into the bore of pipe, usually without removing the existing roof drain, with factory-fitted collar of 5.0 mm modified bitumen membrane, 500 x 500 mm, welded to the flange and clamped with a stainless steel clamp ring

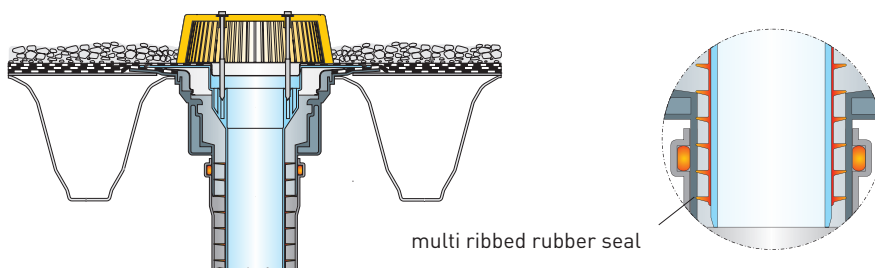
SPECIFICATION

- Multi ribbed seal
- Domed grating, secured
- Temporary blanking plate

MATERIAL

Polypropylene, UV-stabilized, rubber co-moulding

- Renova roof drain type 63 T DallBit, 345 mm
Drain body and domed grating shaped like type 63 T clamp ring.



FLOW RATE IN L/S TESTED TO DIN EN 1253 WITH WATER LEVEL OVER DRAIN

DIMENSION	DIN EN 1253	5 MM	15 MM	25 MM	35 MM	45 MM	55 MM	65 MM	75 MM
DN 70	1,7 (35 mm)	0,60	2,10	3,50	6,10	9,60	11,80	13,30	13,40
DN 100	4,5 (35 mm)	0,70	2,50	4,60	7,50	10,40	13,50	17,90	22,50
DN 125	7,0 (45 mm)	0,70	2,40	4,20	6,90	9,40	12,60	16,50	20,10
DN 150	8,1 (45 mm)	1,00	4,30	7,40	10,70	15,00	19,00	23,70	29,80

ITEM	DN	PART NO.
renova roof drain type 63 T DallBit, 345 mm	DN 70	630247
renova roof drain type 63 T DallBit, 460 mm	DN 100	630261
renova roof drain type 63 T DallBit, 460 mm	DN 125	630285
Drain body and domed grating shaped like type 63 T clamp ring:		
renova roof drain type 63 T DallBit, 345 mm	DN 150	630292

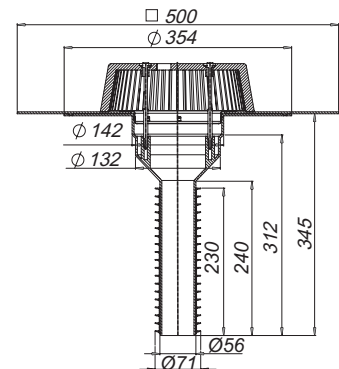
Renova roof drains 63 T in special lengths 590 mm (DN 70 and DN 150)

or 800 mm (DN 100 and DN 125) on request!

DN 70 fits B.S. 68 mm, 82 mm version available



renova roof drain type 63 T DallBit



Renova roof drains

DALLMER renova roof drain type 63 T FPO-PP

Conforming to DIN EN 1253

Installed by pushing into the bore of pipe, usually without removing the existing roof drain, with extra wide flange for welding FPO-PP membranes directly

SPECIFICATION

- Multi ribbed seal
- Domed grating, secured
- Temporary blanking plate

MATERIAL

Polypropylene, UV-stabilized, rubber co-moulding

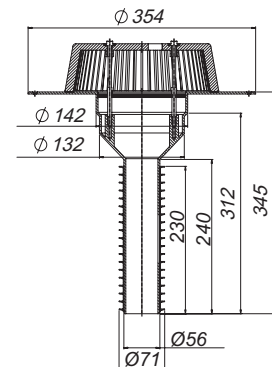
FLOW RATE IN L/S TESTED TO DIN EN 1253 WITH WATER LEVEL OVER DRAIN

DIMENSION	DIN EN 1253	5 MM	15 MM	25 MM	35 MM	45 MM	55 MM	65 MM	75 MM
DN 70	1,7 (35 mm)	0,60	2,10	3,50	6,10	9,60	11,80	13,30	13,40
DN 100	4,5 (35 mm)	0,70	2,50	4,60	7,50	10,40	13,50	17,90	22,50
DN 125	7,0 (45 mm)	0,70	2,40	4,20	6,90	9,40	12,60	16,50	20,10

ITEM	DN	PART NO.
renova roof drain type 63 T FPO-PP, 345 mm	DN 70	630841
renova roof drain type 63 T FPO-PP, 460 mm	DN 100	630865
renova roof drain type 63 T FPO-PP, 460 mm	DN 125	630889



renova roof drain type 63 T FPO-PP



DALLMER renova roof drain type 63 T clamp ring

Conforming to DIN EN 1253

Installed by pushing into the bore of pipe, usually without removing the existing roof drain, with stainless steel clamp ring to secure all single-ply membranes

SPECIFICATION

- Multi ribbed seal
- Domed grating
- Temporary blanking plate

MATERIAL

Polypropylene, UV-stabilized, rubber co-moulding

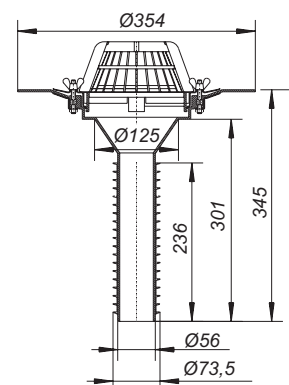
FLOW RATE IN L/S TESTED TO DIN EN 1253 WITH WATER LEVEL OVER DRAIN

DIMENSION	DIN EN 1253	5 MM	15 MM	25 MM	35 MM	45 MM	55 MM	65 MM	75 MM
DN 70	1,7 (35 mm)	0,80	3,60	6,80	9,70	12,90	13,30	13,50	13,60
DN 100	4,5 (35 mm)	0,90	3,90	6,90	9,60	12,50	15,50	17,50	22,30
DN 125	7,0 (45 mm)	0,90	4,30	7,50	10,90	14,20	18,50	23,00	24,30
DN 150	8,1 (45 mm)	1,00	4,30	7,40	10,70	15,00	19,00	23,70	29,80

ITEM	DN	PART NO.
renova roof drain type 63 T clamp ring, 345 mm	DN 70	630049
renova roof drain type 63 T clamp ring, 460 mm	DN 100	630063
renova roof drain type 63 T clamp ring, 460 mm	DN 125	630087
renova roof drain type 63 T clamp ring, 345 mm	DN 150	630094



renova roof drain type 63 T clamp ring



Renova roof drains 63 T in special lengths 590 mm (DN 70 and DN 150)

or 800 mm (DN 100 and DN 125) on request!

DN 70 fits B.S. 68 mm, 82 mm version available

Renova roof drains

DALLMER renova roof drain type 63 T PVC

Conforming to DIN EN 1253

Installed by pushing into the bore of pipe, usually without removing the existing roof drain, with PVC flange for welding single-ply PVC membranes

SPECIFICATION

- Multi ribbed seal
- Domed grating
- Temporary blanking plate

MATERIAL

Polypropylene, UV-stabilized, rubber co-moulding

FLOW RATE IN L/S TESTED TO DIN EN 1253 WITH WATER LEVEL OVER DRAIN

DIMENSION	DIN EN 1253	5 MM	15 MM	25 MM	35 MM	45 MM	55 MM	65 MM	75 MM
DN 70	1,7 (35 mm)	0,80	2,70	4,90	7,90	11,00	13,30	13,50	13,60
DN 100	4,5 (35 mm)	0,80	2,80	5,10	8,10	11,70	15,50	19,00	23,90
DN 125	7,0 (45 mm)	0,80	2,80	5,20	8,30	11,80	15,50	19,50	24,00
DN 150	8,1 (45 mm)	0,80	2,50	5,00	8,00	11,30	14,80	18,90	23,70

ITEM	DN	PART NO.
renova roof drain type 63 T PVC, 345 mm	DN 70	630346
renova roof drain type 63 T PCV, 460 mm	DN 100	630360
renova roof drain type 63 T PVC, 460 mm	DN 125	630384
renova roof drain type 63 T PVC, 345 mm	DN 150	630391

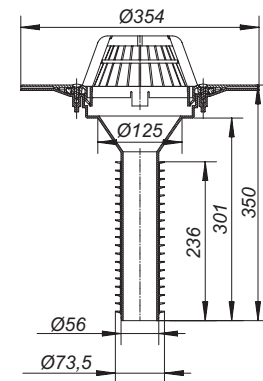
Renova roof drains 63 T in special lengths 590 mm (DN 70 and DN 150)

or 800 mm (DN 100 and DN 125) on request!

DN 70 fits B.S. 68 mm, 82 mm version available



renova roof drain type 63 T PVC



Renova roof drains

DALLMER renova roof drain type 84 clamp ring

Conforming to DIN EN 1253

Installed by pushing into the bore of pipe, usually without removing the existing roof drain, with stainless steel clamp ring to secure all single-ply membranes

SPECIFICATION

- Multi ribbed seal
- Domed grating
- Temporary blanking plate

MATERIAL

Polypropylene, UV-stabilized, rubber co-moulding

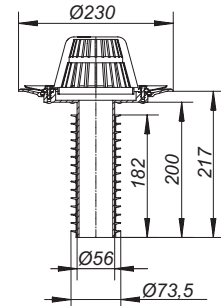
FLOW RATE IN L/S TESTED TO DIN EN 1253 WITH WATER LEVEL OVER DRAIN

DIMENSION	DIN EN 1253	5 MM	15 MM	25 MM	35 MM	45 MM	55 MM	65 MM	75 MM
DN 70	1,7 (35 mm)	0,50	2,10	3,60	4,90	6,40	8,60	11,40	11,80
DN 100	4,5 (35 mm)	0,50	2,60	4,60	6,20	7,80	10,50	14,20	17,30

ITEM	DN	PART NO.
renova roof drain type 84 clamp ring	DN 70	831248
renova roof drain type 84 clamp ring	DN 100	831262



renova roof drain type 84 clamp ring



DALLMER renova roof drain type 84 DallBit

Conforming to DIN EN 1253

Installed by pushing into the bore of pipe, usually without removing the existing roof drain, with factory-fitted collar of 5.0 mm modified bitumen membrane, d: 420 mm, welded to the flange and clamped with a stainless steel clamp ring

SPECIFICATION

- Multi ribbed seal
- Domed grating
- Temporary blanking plate

MATERIAL

Polypropylene, UV-stabilized, rubber co-moulding

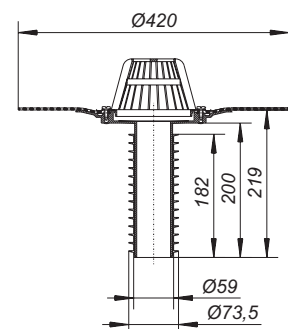
FLOW RATE IN L/S TESTED TO DIN EN 1253 WITH WATER LEVEL OVER DRAIN

DIMENSION	DIN EN 1253	5 MM	15 MM	25 MM	35 MM	45 MM	55 MM	65 MM	75 MM
DN 70	1,7 (35 mm)	0,50	2,10	3,60	4,90	6,40	8,60	11,40	11,80
DN 100	4,5 (35 mm)	0,50	2,60	4,60	6,20	7,80	10,50	14,20	17,30

ITEM	DN	PART NO.
renova roof drain type 84 DallBit	DN 70	832245
renova roof drain type 84 DallBit	DN 100	832269



renova roof drain type 84 DallBit



DN 70 fits B.S. 68 mm, 82 mm version available

Dallmer GmbH + Co. KG
Wiebelsheidestraße 25
59757 Arnsberg
Germany

T +49 2932 9616 -0
F +49 2932 9616 -222
E info@dallmer.de
W www.dallmer.de

Dallmer Ltd.
4 Norman Way
Lavenham, Sudbury
Suffolk CO10 9PY
Great Britain

P +44 (0) 1787 248 244
F +44 (0) 1787 248 246
E info@dallmer.com
W www.dallmer.com

DALLMER