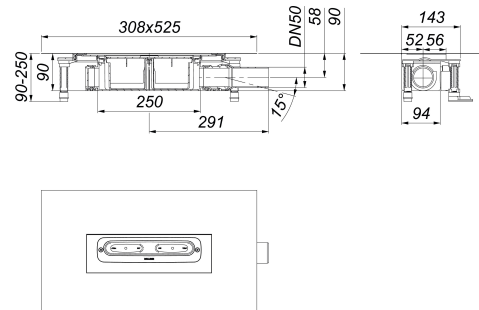


drain body DallFlex, DN 50

Part number: 539007
 GTIN: 4001636539007
 Rebate group: 11



Description:

drain body DallFlex, DN 50
 conforming to DIN EN 1253
 for installation with shower channels CeraWall, CeraFloor, CeraFrame Individual, Zentrix, CeraNiveau and CeraFrame Liquid.

SPECIFICATION

- integrated anchors for extra grip in the screed
- flexible sealing collar for secure bonding of under-tile waterproofing (conforming to DIN 18534)
- accessories for sound insulated installation
- sound absorbing mounting feet for fixing and height adjustment 90 - 250 mm
- removable trap insert, 50 mm water seal (conforming to DIN EN 1253)
- hair sieve (can be used optionally)
- temporary blanking plate

MATERIAL

Polypropylene drain body, highly impact-resistant
 Outlet DN 50 horizontal, can be positioned on three sides without tools, with ball-joint, adjustable 0 – 15 degrees

MATERIAL

Polypropylene drain body, highly impact-resistant

Flow rates tested to DIN EN 1253:

Nominal diameter	Product standard	Min. flow rate according to norm	Water level according to norm	Flow rate at water level 10 mm	Flow rate at water level 20 mm	Drainage capacity
DN 50	DIN EN 1253	0.80 l/s	20.00 mm	0.61 l/s	0.83 l/s	0.83 l/s

Spare parts:

535504 trap insert DallFlex

539144 sealing collar DallFlex